

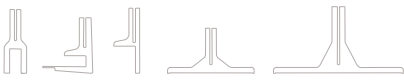
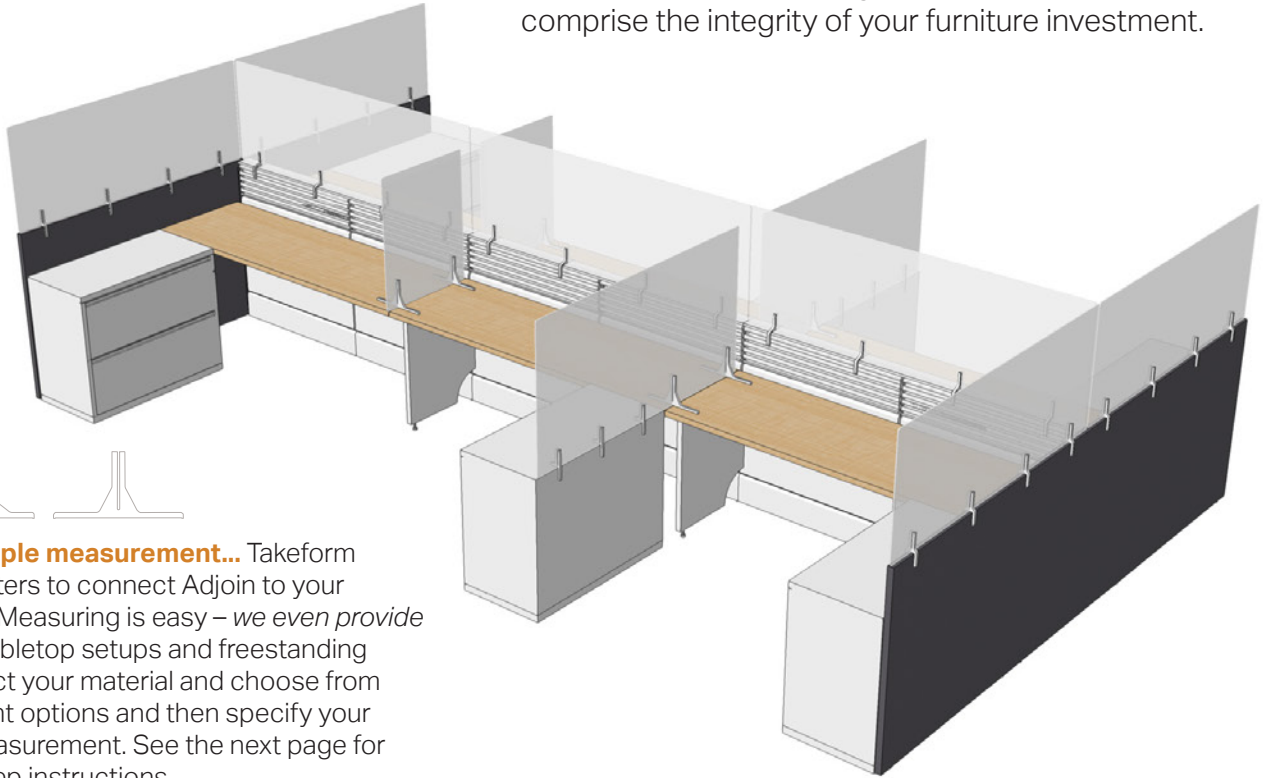
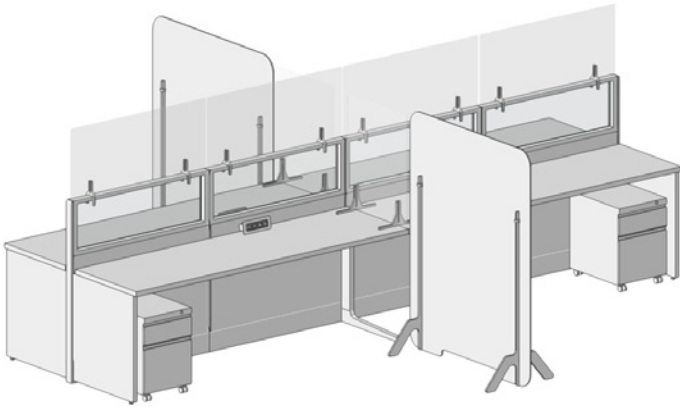
Adjoin™

ADAPTIVE PANEL SYSTEM

Divide and unite.
Divide and unite.
Divide and unite.
Divide and unite.
Divide and unite.

Adjoin is the creative panel system that fits every workspace scenario.

Add protection, privacy, and style to any modular workstation system, bench-style desking, or floor space with Adjoin. It's the system designed to easily integrate with any furniture system or accommodate almost any freestanding installation. Select materials or finishes to complement your space or brand. You can even specify custom graphics for added brand presence. All this accomplished without need for visible drilling or fasteners that would compromise the integrity of your furniture investment.



With just one simple measurement... Takeform provides the adapters to connect Adjoin to your workstation walls. Measuring is easy – *we even provide the calipers*. For tabletop setups and freestanding floor models, select your material and choose from our standard height options and then specify your required width measurement. See the next page for simple step-by-step instructions.

Function and design work side-by-side. Specify Adjoin to add protection and privacy along with the aesthetic sensitivity that will enhance your space for the long term.

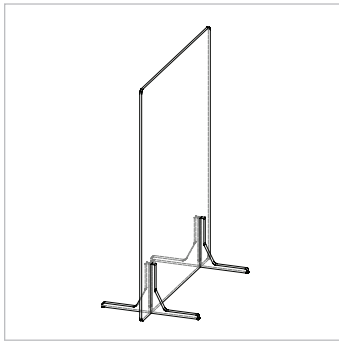


takeform

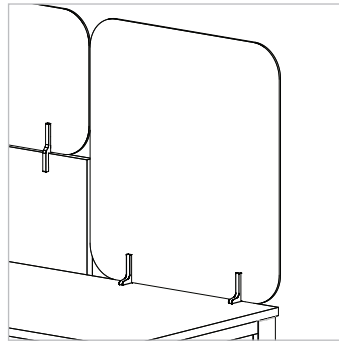
Adjoin workstation panel ordering process



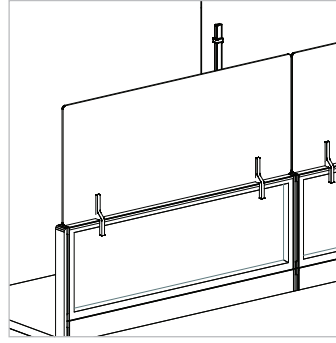
Step 1: Specify workstation application for each panel*



1. Freestanding desktop



2. Bracket-mounted desktop



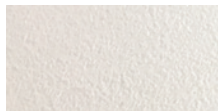
3. Panel topper

* Please provide in situ photo(s) of workstation(s) for engineering reference.

Step 2: Select leg/adaptor color



1. Black



2. White



3. Gray



Step 3: Specify panel dimensions

Workstation/Desk panel sizing

1. **11" panel height** (exact width can be specified from 16"w - 95"w)
2. **18" panel height** (exact width can be specified from 16"w - 95"w)
3. **23.5" panel height** (exact width can be specified from 16"w - 95"w)



Panel Toppers

thickness measurement:

We'll ship you a free set of calipers. Just fit caliper to the top edge of your workstation panel and send us a photo of the caliper in position so we can read the measurement.

Step 4: Specify material

1. **Moxie (ACM)** with custom direct-print graphics. (See Step 5)
2. **High pressure laminate**
3. **Acrylic** clear or frosted
4. **Dry-erase** and/or **magnetic**

Step 5: Graphics for Moxie (ACM) panels (optional)

Collaborate with Takeform design team to create custom graphics or translate existing graphics to your Adjoin panels.

Specifications

Size to fit

- Adapters fit any rigid commercial-grade workstation
- Simple measuring process precisely retrofits Adjoin to workstation panels
- Three standard panel heights add desired level of protection/privacy to workstations (11", 18", 23.5")
- Manufactured to the exact width of your furniture up to 95"
- Two standard freestanding sizes available

Material choices

- All material options provide smooth cleanable surfaces for easy disinfecting.
- Specify material to complement furniture, space, or brand:
 - Moxie (ACM) printed
 - High pressure laminate
 - Clear and frosted acrylic
 - Dry-erase and/or magnetic
- Transparent-to-opaque: a full opacity range for desired level of light filtering/privacy
- Optional direct print graphics for added creative potential. (ACM)
- Specify adapters/legs in black, white, or gray

Custom shapes

- Half-inch corner radius spec provides maximum protection
- Specify the four-inch corner radius to complement the aesthetic of your furniture or space
- Optional top-edge shaping: angle, curve, wave, etc. to reflect the architectural line of your space or other design cue

Simple installation

- Flat pack shippable
- Assembles in field with minimal/no tools
- Non-destructive retrofit attachment methods for most workstations
- Multiple leg design options on freestanding models

takeform

takeform.net

800.528.1398